

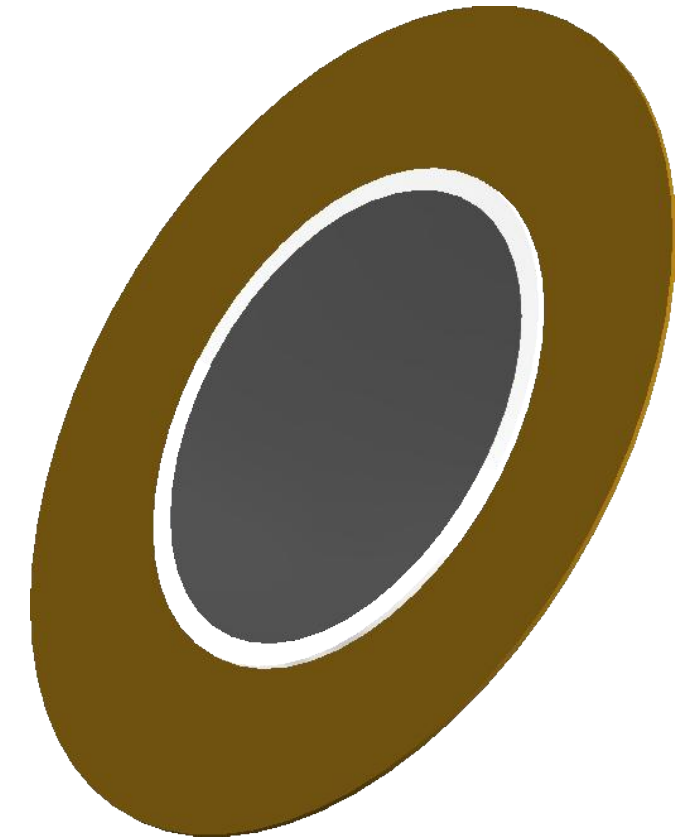
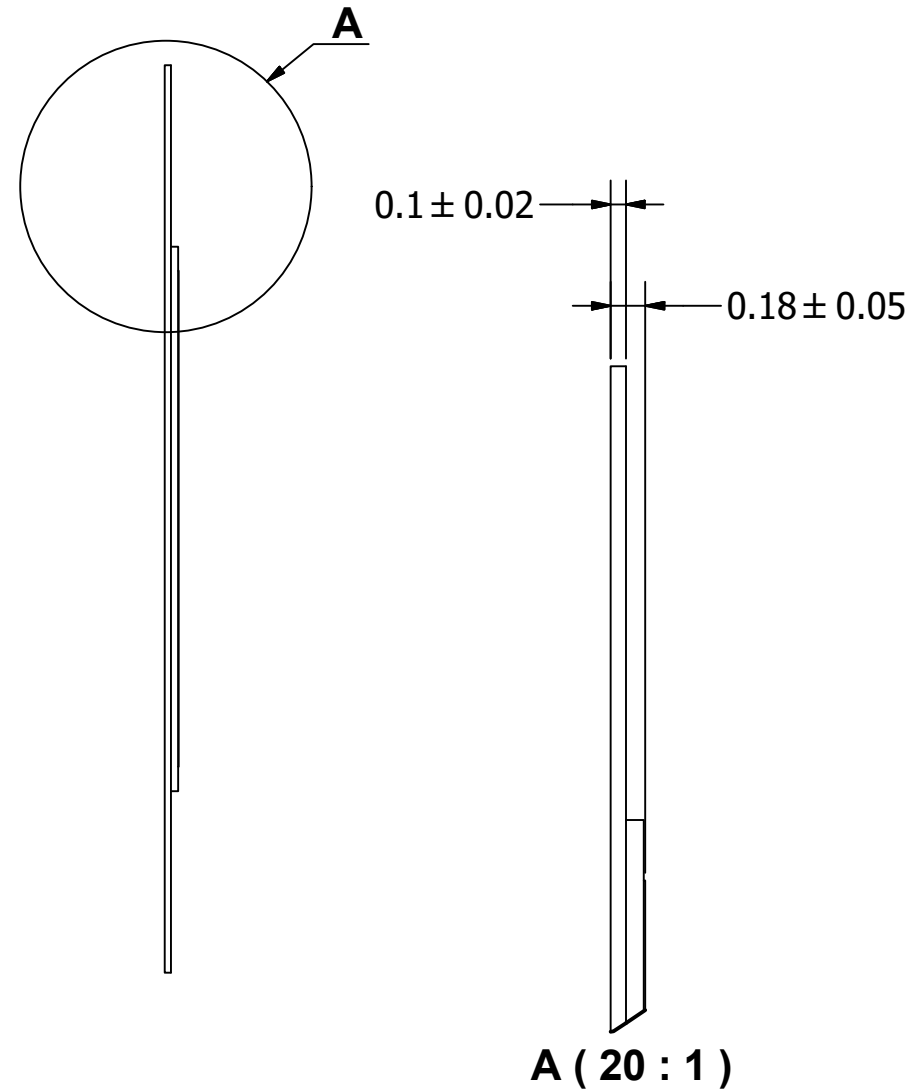
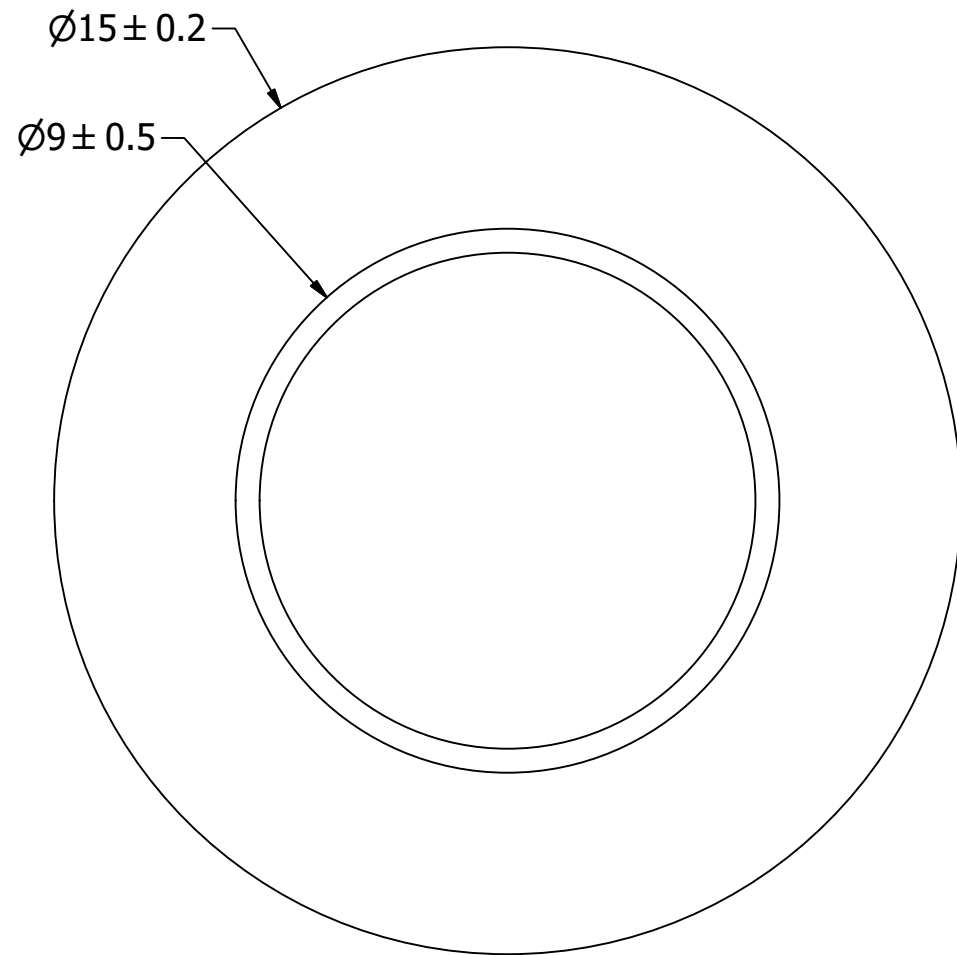
# SPECIFICATIONS

| PARAMETERS               | VALUES      | UNITS |
|--------------------------|-------------|-------|
| RESONANT FREQUENCY       | 4,100 ± 500 | Hz    |
| RESONANT IMPEDANCE (MAX) | 1,000       | Ohm   |
| MAX INPUT VOLTAGE        | 30          | Vp-p  |
| CAPACITANCE @ 1KHZ       | 8,000 ± 30% | pF    |
| PLATE MATERIAL           | BRASS       | -     |
| OPERATING TEMPERATURE    | -20 ~ +60   | °C    |
| STORAGE TEMPERATURE      | -30 ~ +70   | °C    |

THIS DOCUMENT CONTAINS DATA PROPRIETARY TO PROJECTS UNLIMITED, INC. ANY USE OR REPRODUCTION, IN ANY FORM, WITHOUT PRIOR WRITTEN PERMISSION OF PROJECTS UNLIMITED, INC. IS PROHIBITED.  
©2003, Projects Unlimited Inc.

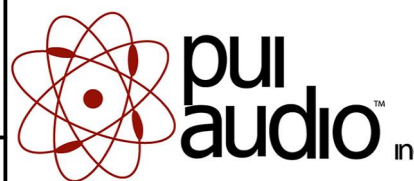
# REVISION HISTORY

| LTR | DESCRIPTION                              | DATE       | APPROVED |
|-----|--|------------|----------|
| -   | RELEASED FROM ENGINEERING                | 5/22/2001  |          |
| A   | REVISED TO NEW TEMPLATE                  | 8/29/2003  | R.W.     |
| B   | REVISED SPECIFICATIONS                   | 1/8/2004   | R.W.     |
| C   | REVISED DIMENSION SIZE AND STYLE         | 1/12/2006  | B.R.     |
| D   | REVISED TO INVENTOR 3-D DRAWING TEMPLATE | 8/9/2010   | B.R.     |
| E   | REVISED DIMENSIONS AND MAX INPUT VOLTAGE | 1/4/2018   | M.V.     |
| F   | REVISED THICKNESS DIMENSION              | 10/25/2018 | M.L.     |



## NOTES:

1. ALL DIMENSIONS ARE IN MILLIMETERS.
2. SPECIFICATIONS SUBJECT TO CHANGE OR WITHDRAWL WITHOUT NOTICE.
3. THIS PART IS RoHS 2011/65/EU COMPLIANT.

|  |                   |   |           |               |         |             |           |            |
|--|-------------------|---|-----------|---------------|---------|-------------|-----------|------------|
| UNLESS OTHERWISE SPECIFIED:<br>DIMENSIONS ARE IN MILLIMETERS,<br>TOLERANCES ARE ±0.5 AND ANGLES ARE ±3°. | SIZE<br><b>A3</b> | Designed by   | Date      | Checked by    | Date    | Approved by | Date      | Drawn Date |
|  |                   | RABL  | 5/22/2001 |               |         | S.J.        | 5/22/2001 | 8/9/2010   |
| AB1541.idw   |                   |  |           | <b>AB1541</b> |         |             |           |            |
|  |                   | <b>Bender</b>   |           |               | Edition |             | Sheet     |            |
|  |                   |   |           |               | -       |             | 1 / 1     |            |