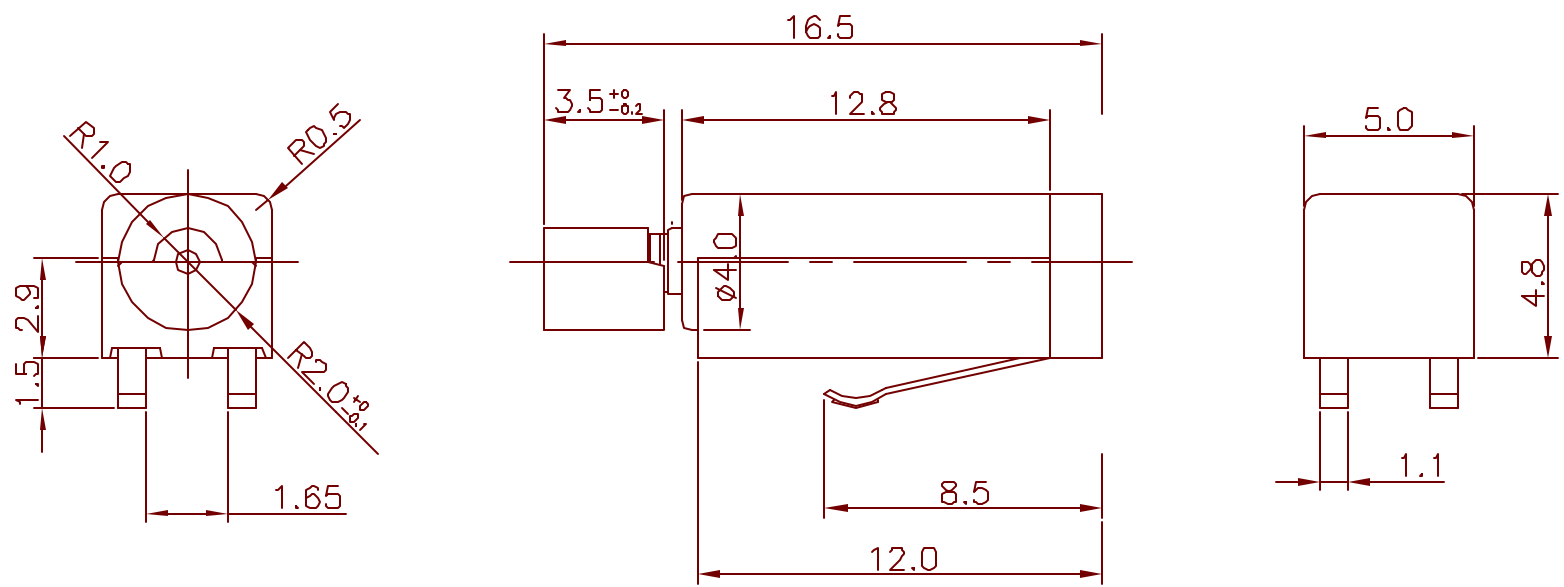


REVISIONS			
LTR	DESCRIPTION	DATE	APPROVED
-	RELEASED FROM ENGINEERING	12/16/99	S. J.
A	TOLERANCE CHANGES	4/26/00	S. J.
B	DIMENSION CHANGES	1/3/01	S. J.
C	DIMENSION CHANGES & RATED SPEED	1/31/02	S. J.



VOLTAGE : 1.3V DC  
 RATED CURRENT : 90 mA  
 RATED SPEED : 12,000 RPM±2000  
 MIN. STARTING VOLTAGE : 1.0 V MAX.  
 STALL CURRENT : 120 mA


NOTES:

1. ALL DIMENSIONS ARE IN MILLIMETERS.
2. SPECIFICATION SUBJECT TO CHANGE OR WITHDRAWAL WITHOUT NOTICE.

DRAWING NAME  
MV401613CT

UNLESS OTHERWISE SPECIFIED  
DIMENSIONS ARE IN MILLIMETERS  
TOLERANCES ARE:  
FRACTIONS DECIMALS ANGLES  
± .XX ± 0.2 ±  
XXX ±

APPROVALS	DATE
DRAWN DES	1/01
CHECKED	
APPROVED S. J.	12/16/99
DO NOT SCALE DRAWING	


 Dayton, Ohio

MOTOR VIBRATOR  
MV4016-13CT

SIZE A	MATERIAL	DRAWING NO. MV401613CT.DWG
NOT TO SCALE	MAX. WT.	SHEET 1 OF 1