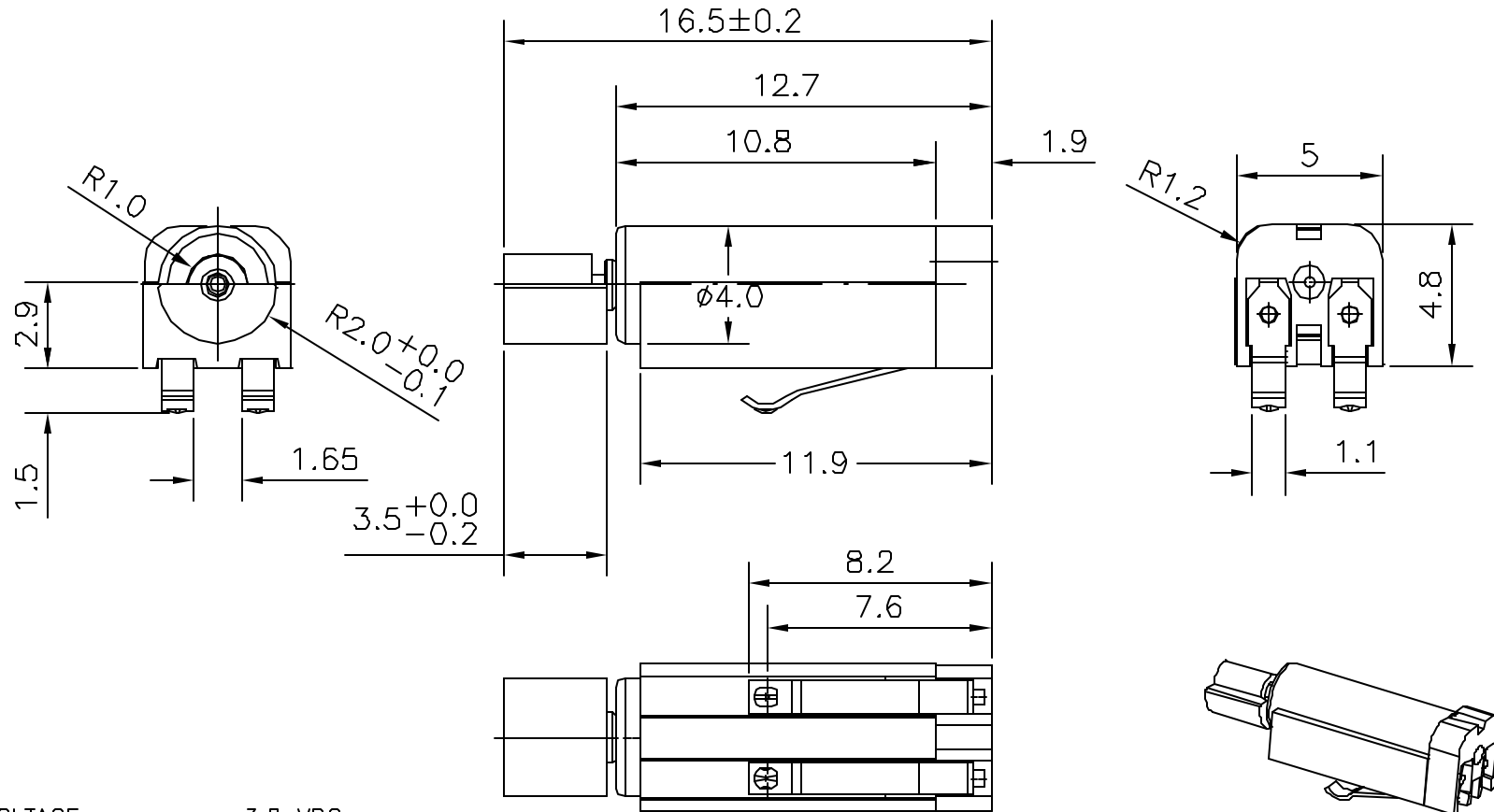


THIS DOCUMENT CONTAINS DATA
 PROPRIETARY TO PROJECTS UNLIMITED, INC.
 ANY REPRODUCTION, IN ANY FORM, WITHOUT
 PRIOR WRITTEN PERMISSION OF PROJECTS
 UNLIMITED, INC. IS PROHIBITED.

REVISIONS			
LTR	DESCRIPTION	DATE	APPROVED
-	RELEASED FROM ENGINEERING	6/10/03	




VOLTAGE : 3.0 VDC
 RATED CURRENT : 90 mA max.
 RATED SPEED : 11,000 RPM±2000
 MIN. STARTING VOLTAGE : 2.4 V
 STALL CURRENT : 120 mA max.

NOTES:

1. ALL DIMENSIONS ARE IN MILLIMETERS.
2. SPECIFICATION SUBJECT TO CHANGE OR WITHDRAWAL WITHOUT NOTICE.

FILE NAME
 MV4016-30CT-2.DWG

UNLESS OTHERWISE SPECIFIED DIMENSIONS ARE IN MILLIMETERS TOLERANCES ARE: FRACTIONS DECIMALS ANGLES ± .XX ± 0.3 ± .XXX ±		 Dayton, Ohio	
APPROVALS DRAW <i>T.P.I.</i> CHECKED APPROVED <i>S.V.</i>		DATE 8/03 6/03	
MOTOR VIBRATOR MV4016-30CT-2		SIZE A	MATERIAL DRAWING NO. MV4016-30CT-2
DO NOT SCALE DRAWING		SCALE N/A	MAX. WT. SHEET 1 OF 1