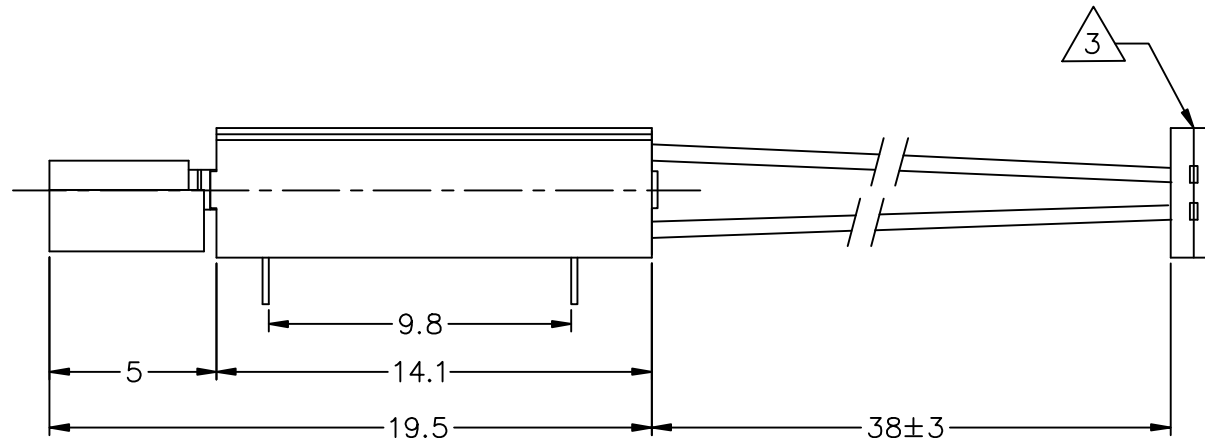
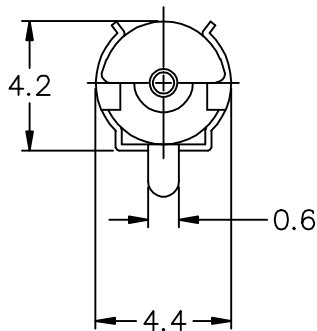


THIS DOCUMENT CONTAINS DATA PROPRIETARY TO PROJECTS UNLIMITED, INC. ANY USE OR REPRODUCTION, IN ANY FORM, WITHOUT PRIOR WRITTEN PERMISSION OF PROJECTS UNLIMITED, INC. IS PROHIBITED.
 ©2005, Projects Unlimited Inc.

SPECIFICATIONS

PARAMETERS	VALUES	UNITS
RATED VOLTAGE	1.3	Vdc
RATED CURRENT	90	mA
RATED CURRENT (MAX)	120	mA
SPEED	9000±2500	rpm
STARTING VOLTAGE (MAX)	1.0	Vdc
TERMINAL RESISTANCE	11.5±20%	Ohm
DIRECTION OF ROTATION	CW, CCW	-
WEIGHT	1.2	grams


REVISIONS			
LTR	DESCRIPTION	DATE	APPROVED
-	RELEASED FROM ENGINEERING	5/26/06	



NOTES:

1. ALL DIMENSIONS ARE IN MILLIMETERS.
2. SPECIFICATION SUBJECT TO CHANGE OR WITHDRAWAL WITHOUT NOTICE.
3. CONNECTOR:
KYOCERA ELCO CORP. 24-8005-002-100-867

FILE NAME
MV4020-13HL-LWC38.DWG

UNLESS OTHERWISE SPECIFIED: DIMENSIONS ARE IN MILLIMETERS, TOLERANCES ARE ±0.5 AND ANGLES ARE ±3°.		 projects® unlimited Dayton, Ohio	
APPROVALS		DATE	
DRAWN	J.D.	5/06	
CHECKED	R.W.	5/06	
APPROVED	B.R.	5/06	
DRAWING NO.		MV4020-13HL-LWC38	
SIZE		A	
DO NOT SCALE DRAWING		SCALE: N.T.S.	
SHEET		1 OF 1	