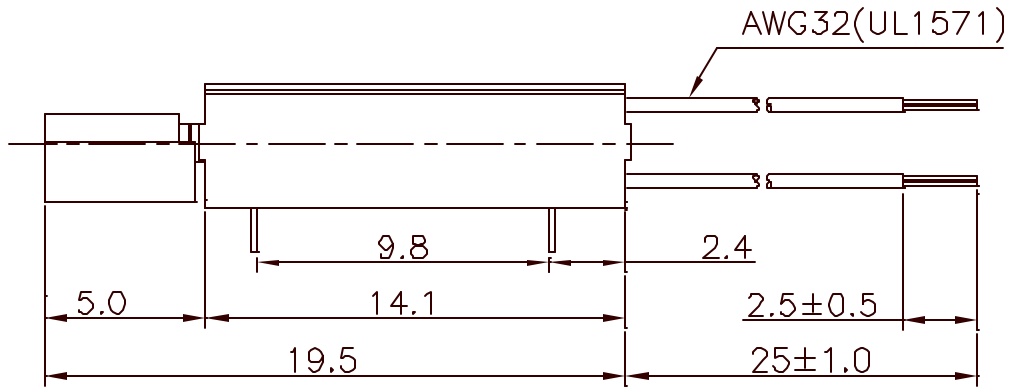
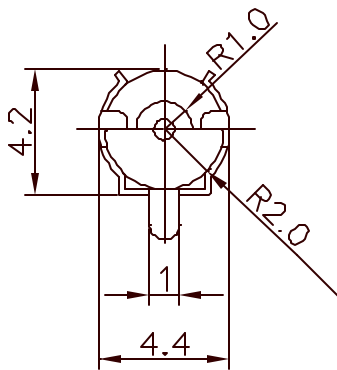


REVISIONS			
LTR	DESCRIPTION	DATE	APPROVED
-	RELEASED FROM ENGINEERING	12/16/99	S.-.-
A	TOLERANCE CHANGED	4/26/00	S.-.-




VOLTAGE : DC 1.3V.  
 RATED CURRENT : 90mA MAX.  
 RATED SPEED : 9,000rpm±2000  
 Min. STARTING VOLTAGE : 0.9V  
 STALL CURRENT: 120mA MAX.

NOTES:

1. ALL DIMENSIONS ARE IN MILLIMETERS.
2. SPECIFICATION SUBJECT TO CHANGE OR WITHDRAWAL WITHOUT NOTICE.

DRAWING NAME  
MV4020-13HL

UNLESS OTHERWISE SPECIFIED DIMENSIONS ARE IN MILLIMETERS TOLERANCES ARE: FRACTIONS DECIMALS ANGLES ± .XX ± 0.2 ± .XXX ±		 Dayton , Ohio	
APPROVALS _____ DATE _____ DRAWN <i>CC</i> / 12/99 CHECKED _____ APPROVED _____		MOTOR VIBRATOR MV4020-13HL	
SIZE A	MATERIAL	DRAWING NO. MV4020-13HL.DWG	
DO NOT SCALE DRAWING		SCALE 4 / 1	SHEET 1 OF 1