

THIS DOCUMENT CONTAINS DATA PROPRIETARY TO PROJECTS UNLIMITED, INC. ANY USE OR REPRODUCTION, IN ANY FORM, WITHOUT PRIOR WRITTEN PERMISSION OF PROJECTS UNLIMITED, INC. IS PROHIBITED.
© 2005, Projects Unlimited Inc.

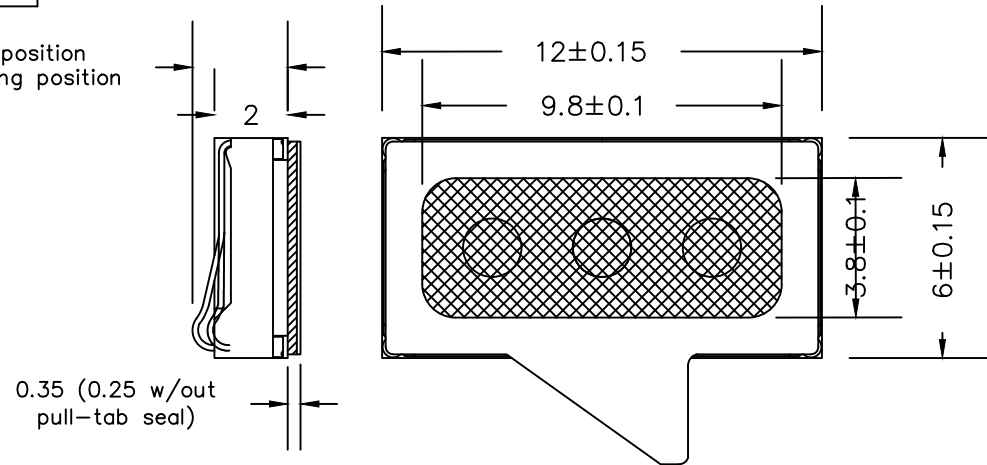
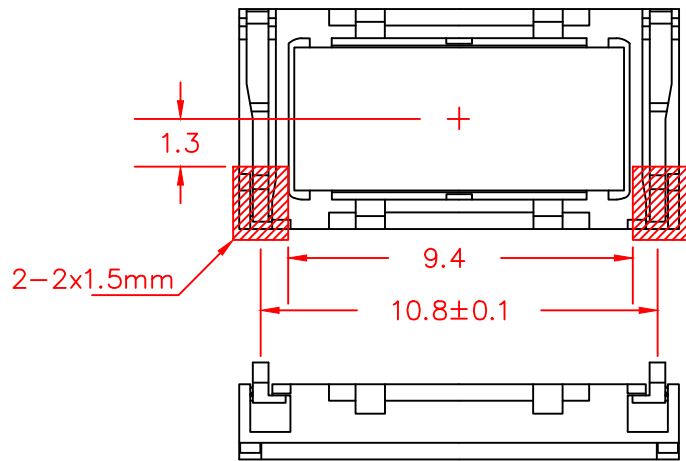
SPECIFICATIONS

PARAMETERS	VALUES	UNITS
RATED INPUT POWER	.02	W
MAX INPUT POWER	.03	W
IMPEDANCE	32±15%	OHM
OUTPUT SPL @ 1.0 kHz, .02mW (IEC318 Coupler)	117±3	dBA
DISTORTION (MAX.)	5%	-
FREQUENCY RANGE	300 ~ 7,000	Hz
HOUSING MATERIAL	PPA	-
CONE MATERIAL	PEEK	-
MAGNET MATERIAL	NdFeB	-
OPERATING TEMPERATURE	-40 ~ +80	°C
WEIGHT	0.4	grams

REVISIONS			
LTR	DESCRIPTION	DATE	APPROVED
-	RELEASED FROM ENGINEERING	10/1/18	

Suggested pad layout in red

3±0.3 free position
2.25±0.1 working position

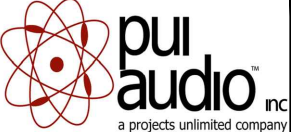


NOTES:

1. ALL DIMENSIONS ARE IN MILLIMETERS.
2. SPECIFICATION SUBJECT TO CHANGE OR WITHDRAWAL WITHOUT NOTICE.
3. PART IS IP67 RATED.
4. THIS PART IS RoHS 2011/65/EU COMPLIANT.

BASE PART:
AR01232MS-SC12-WP-R

FILE NAME
AR01232MS-SC12-WP-2-R.DWG

UNLESS OTHERWISE SPECIFIED: ALL PURCHASES ARE SUBJECT TO THE PUI AUDIO TERMS AND CONDITIONS SALE FOUND AT http://www.puiaudio.com/pdff/terms_conditions.pdf (paper copy available upon request). DIMENSIONS ARE IN MILLIMETERS, TOLERANCES ARE ±0.5 AND ANGLES ARE ±3°.		 <p>pui audio[™] inc a projects unlimited company</p>	3541 Stop Eight Road Dayton, Ohio 45414
APPROVALS	DATE		
DRAWN	M.L.	2/18	RECEIVER DRAWING NO. AR01232MS-SC12-WP-2-R
CHECKED	M.L.	2/18	
APPROVED	B.R.	2/18	
SIZE		A	SCALE: N.T.S.
			SHEET 1 OF 1