

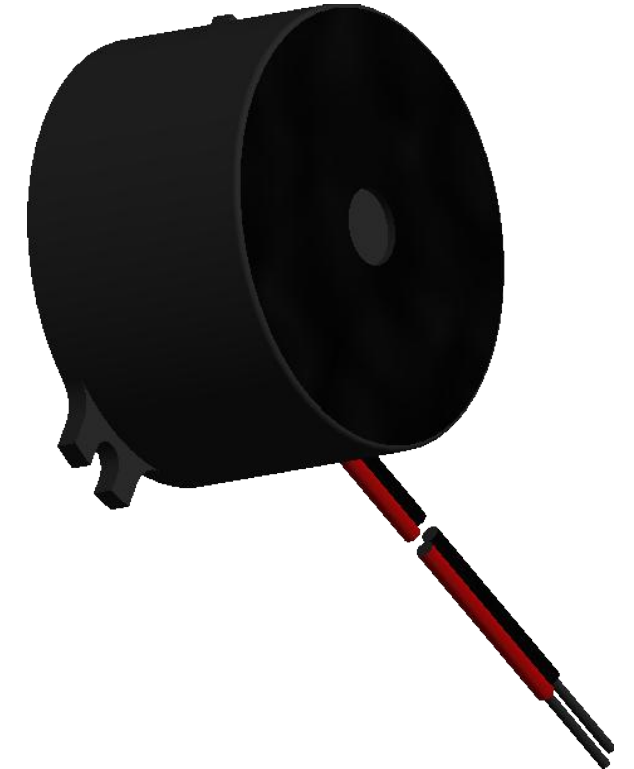
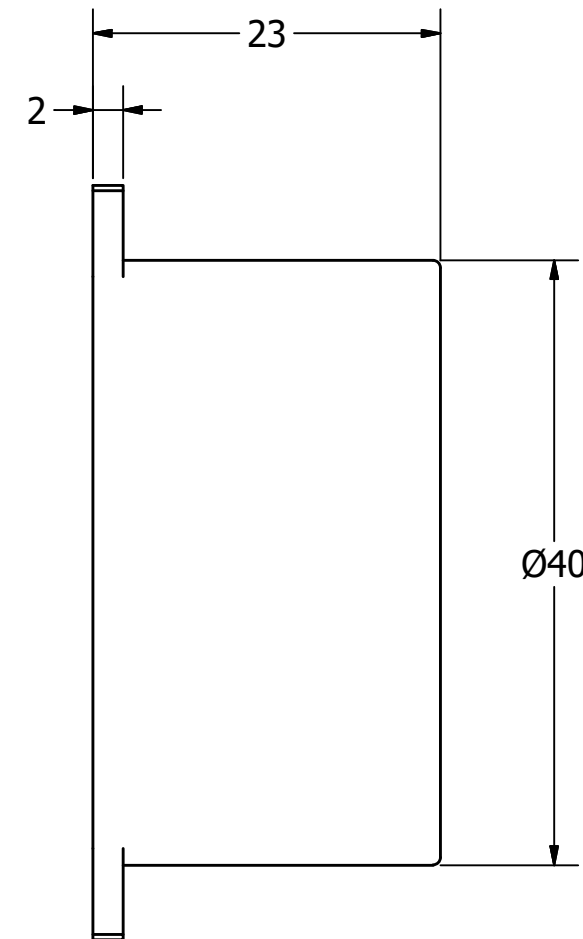
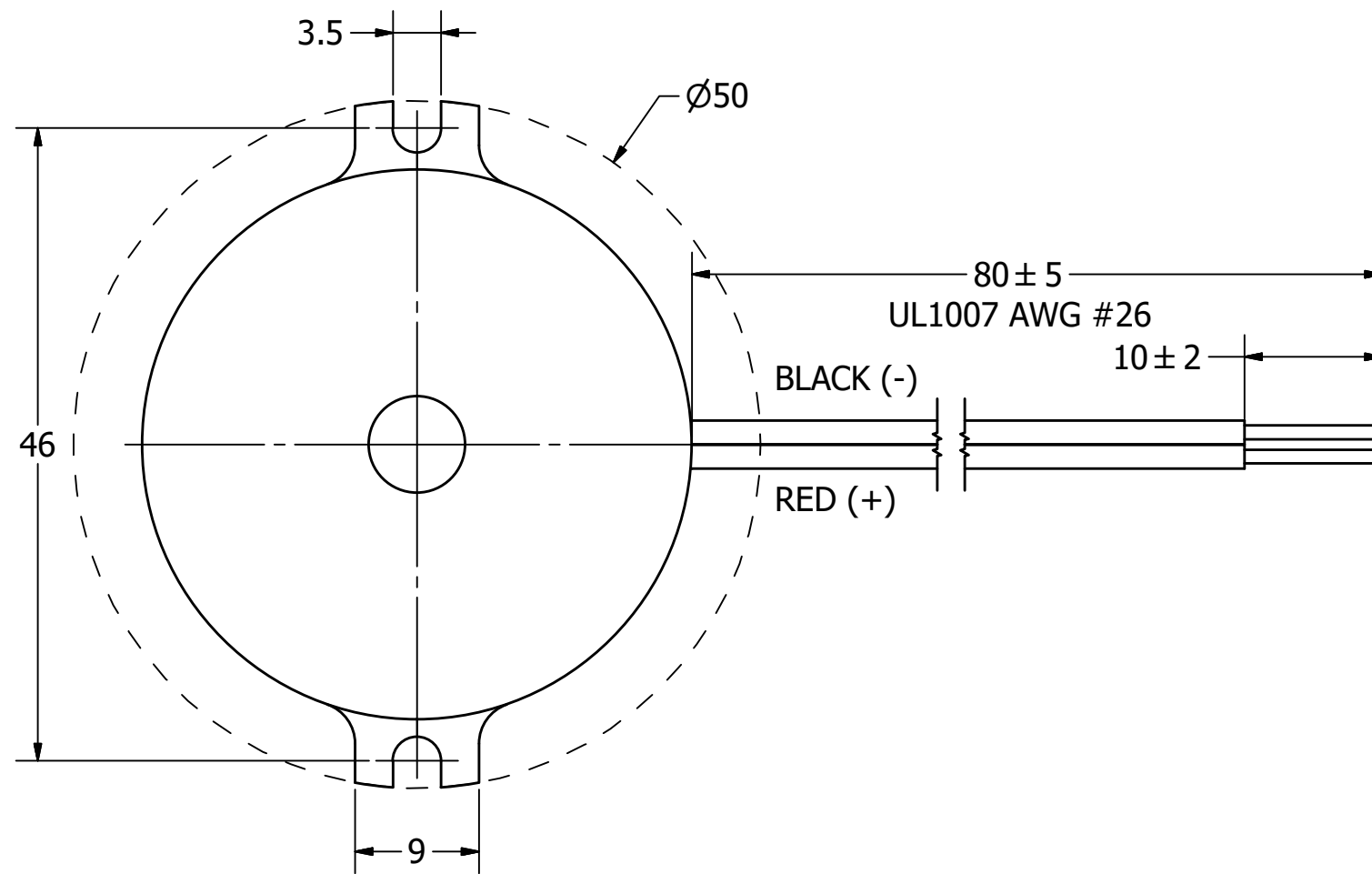
SPECIFICATIONS

PARAMETERS	VALUES	UNITS
RATED VOLTAGE	6	Vdc
OPERATING VOLTAGE RANGE	1.5 ~ 12	Vdc
RATED CURRENT (MAX)	9	mA
MINIMUM SPL @ 10 CM	106	dBa
RESONANT FREQUENCY	3,300 ± 500	Hz
TONE OR PULSE RATE	CONTINUOUS	0 pulse /sec
OPERATING TEMPERATURE	-30 ~ +80	°C
STORAGE TEMPERATURE	-40 ~ +80	°C
HOUSING MATERIAL	UL94 ABS	-
TERMINAL MATERIAL	LEAD WIRE	-
WEIGHT	14.1	grams

THIS DOCUMENT CONTAINS DATA PROPRIETARY TO PROJECTS UNLIMITED, INC. ANY USE OR REPRODUCTION, IN ANY FORM, WITHOUT PRIOR WRITTEN PERMISSION OF PROJECTS UNLIMITED, INC. IS PROHIBITED.
©2003, Projects Unlimited Inc.

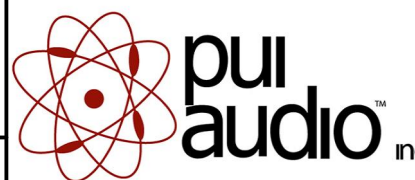
REVISION HISTORY

LTR	DESCRIPTION	DATE	APPROVED
-	RELEASED FROM ENGINEERING	5/11/2006	
A	REVISED OPERATING VOLTAGE RANGE	11/22/2006	R.W.
B	REVISED PULSE RATE PER SECOND	8/16/2007	R.W.
C	REVISED TO INVENTOR 3-D DRAWING TEMPLATE	3/13/2008	B.R.
D	REVISED WEIGHT	2/27/2020	M.V.



NOTES:

1. ALL DIMENSIONS ARE IN MILLIMETERS.
2. SPECIFICATIONS SUBJECT TO CHANGE OR WITHDRAWL WITHOUT NOTICE.
3. THIS PART IS RoHS 2002/95/EC COMPLIANT.

UNLESS OTHERWISE SPECIFIED: DIMENSIONS ARE IN MILLIMETERS, TOLERANCES ARE ±0.5 AND ANGLES ARE ±3°.	SIZE A3	Designed by	Date	Checked by	Date	Approved by	Date	Drawn Date	
		J.D.	5/11/2006	E.P.	5/11/2006	B.R.	5/11/2006	3/13/2008	
X-4033-TF-LW80-R.idw				X-4033-TF-LW80-R				Indicator	
							Edition	Sheet	
							-	1 / 1	